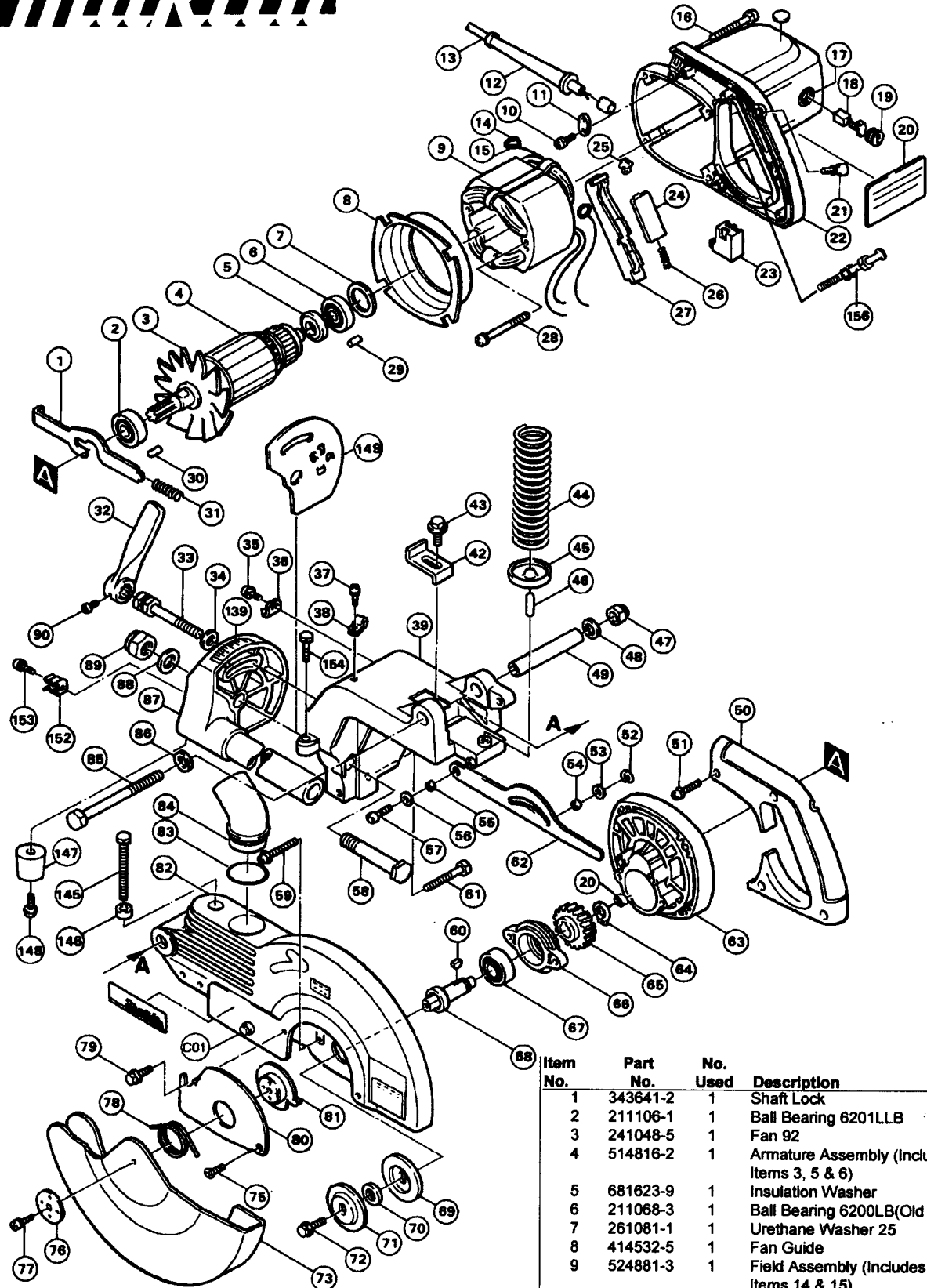




10" SLIDE COMPOUND SAW

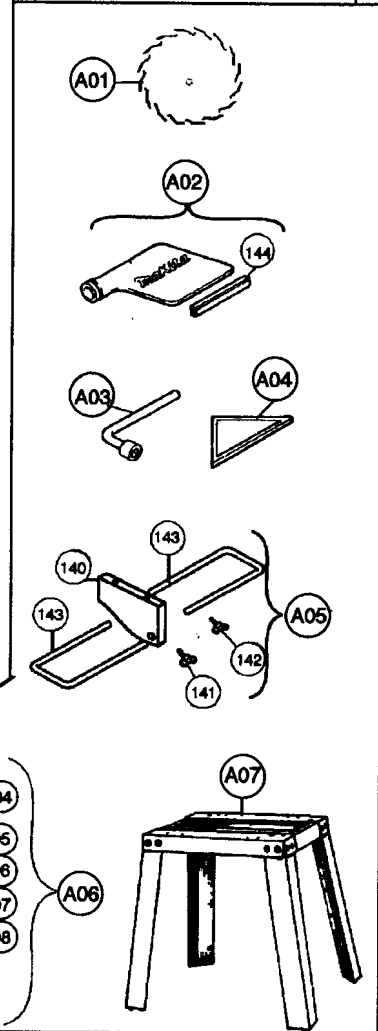
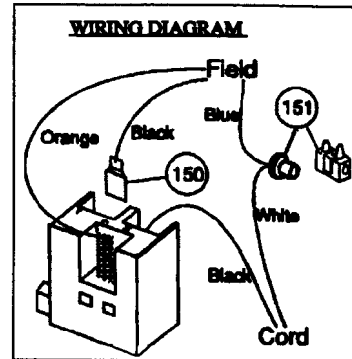
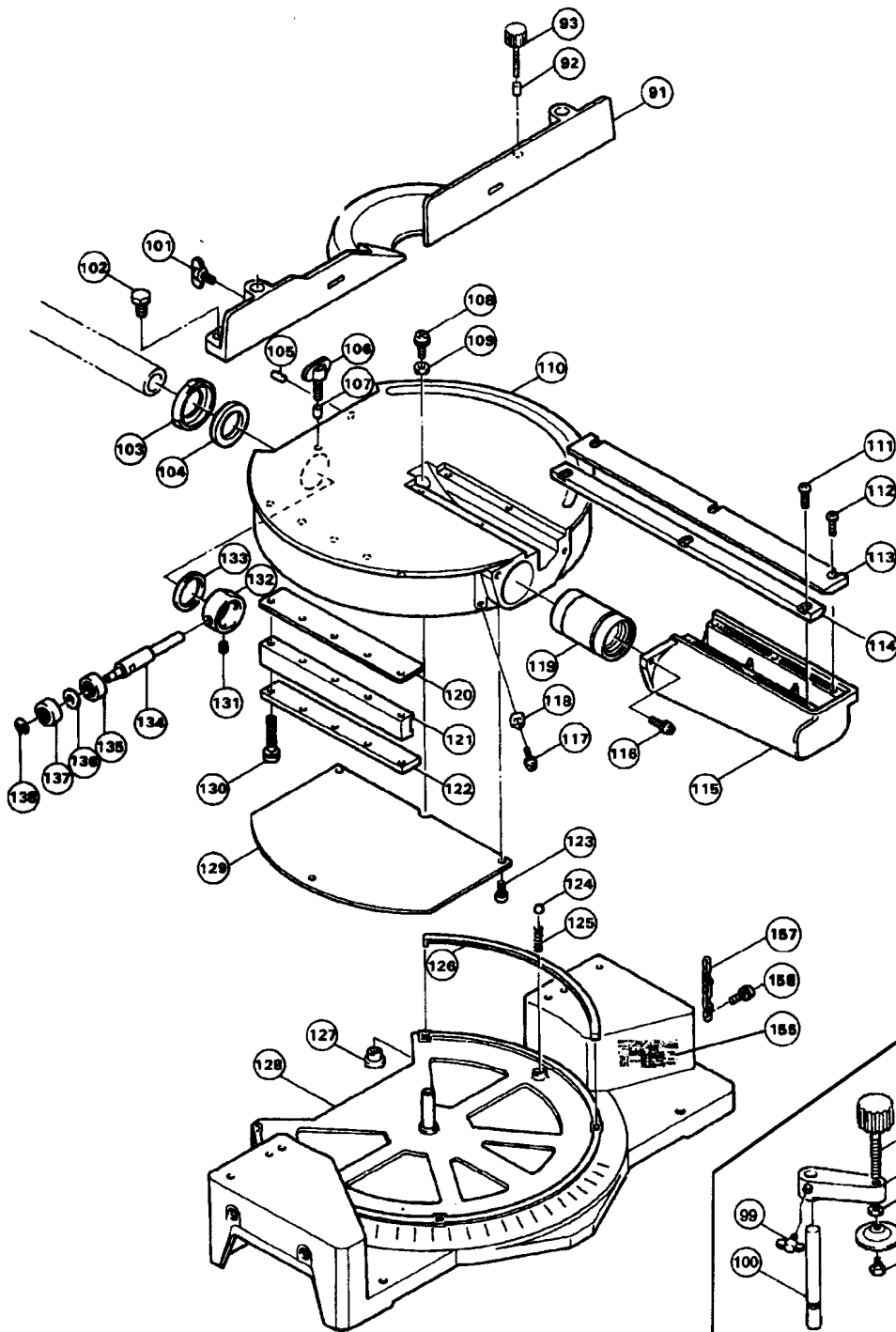
Model LS1011



Item No.	Part No.	No. Used	Description
1	343641-2	1	Shaft Lock
2	211106-1	1	Ball Bearing 6201LLB
3	241048-5	1	Fan 92
4	514816-2	1	Armature Assembly (Includes Items 3, 5 & 6)
5	681623-9	1	Insulation Washer
6	211068-3	1	Ball Bearing 6200LB(Old 211066-7)
7	261081-1	1	Urethane Washer 25
8	414532-5	1	Fan Guide
9	524881-3	1	Field Assembly (Includes Items 14 & 15)
10	*	2	P. H. Screw M4x18/Tapping Screw M4x18
11	*	1	Strain Relief
12	682505-8	1	Cord Guard 10-90
13	664213-3	1	Cord with Plug 2P-16-2.5
14	654020-2	2	Garter Spring
15	654502-4	2	Solderless Connector P-2
C01	322316-6	1	Ring Shaft 6

09-95 MC

Item No.	Part No.	No. Used	Description	Item No.	Part No.	No. Used	Description
16	911378-5	3	P. H. Screw M6x55 (With Washer)(Old: 4pcs)	75	*	1	Screw
17	643653-8	2	Brush Holder 6.5-13.5	76	253977-0	1	Flat Washer 6
18	181047-4	2	Carbon Brush CB-154	77	911213-7	1	P. H. Screw M5x12 (With Washer)(Old 911211-1)
	181506-8	2	Auto Cut-Off Carbon Brush CB-157	78	231593-8	1	Torsion Spring 36
19	643650-4	2	Brush Holder Cap 6.5-13.5	79	265324-3	1	Hex Flange Head Bolt M8x12
20	212105-6	1	Needle Bearing 1210	80	343673-9	1	Center Cover
21	411478-6	1	Lock-Off Switch Button	81	343639-9	1	Center Plate
22	*	1	Motor Housing Com. (Includes Items 17 & 29)	82	151357-3	1	Blade Case Com. (With C01)(Old 151330-3)
23	651895-0	1	Switch	83	213460-9	1	O Ring 35
24	414547-2	1	Lock-Off Lever	84	414568-4	1	Elbow
25	414546-4	1	Cam	85	265356-0	1	Hex Bolt M10x105
26	231457-6	1	Compression Spring 3	86	941251-5	1	Flat Washer 10
27	414157-5	1	Switch Lever (MJ)	87	151345-0	1	Arm Holder Com. (Includes Items 139)
	415168-3	1	Switch Lever (MCA)	88	253771-0	1	Flat Washer 16
28	911290-9	2	P. H. Screw M5x65 (MJ)(With Washer & Bond)	89	252044-8	1	Hex Nut M16-24
	911686-4	2	P. H. Screw M5x65 (MCA)(With Washer & Bond)	90	911202-2	1	P. H. Screw M5x8 (MJ)
29	263002-9	1	Rubber Pin 4		911213-7	1	P. H. Screw M5x12 (MCA)
30	263005-3	1	Rubber Pin 6	91	316165-1	1	Guide Fence
31	231297-2	1	Compression Spring 9	92	*	1	Nylon Pin 8
32	272216-9	1	Lever 125*	93	*	1	Screw M10x45/Knob 40
33	265937-0	1	Lock Bolt M10	94	271286-5	1	Knob 40
34	253024-7	*	Flat Washer 10	95	316177-4	1	Vise Arm
35	911114-9	1	P. H. Screw M4x10 (With Washer)(MJ)	96	253804-1	1	Flat Washer 6
	911113-1	1	P. H. Screw M4x10 (With Washer)(MCA)	97	343651-9	1	Vise Plate
36	343678-9	1	Indication Plate	98	251370-2	1	(+) P. H. Screw M5
37	911114-9	1	P. H. Screw M4x10 (With Washer) (MJ)	99	251887-5	1	Screw M6x10
	911113-1	1	P. H. Screw M4x10 (With Washer)(MCA)	100	322313-2	1	Vise Rod
38	687042-7	1	Strain Relief	101	251887-5	1	Screw M6x10
39	150251-6	1	Arm Complete	102	921451-3	1	Hex Bolt M8x30 (With Washer)
40	322317-4	1	Stopper Pin (Old) *	103	343676-3	1	Cap
41	213021-5	1	O Ring 5 (Old) *	104	262048-2	1	Felt Ring 30
42	343677-1	1	Stopper Plate	105	263005-3	1	Rubber Pin 6
43	251644-1	1	Hex Flange Head Bolt M8x20	106	265708-5	1	Screw M6x20 (Old 251815-0) (From Serial No 37619E)
44	231483-5	1	Compression Spring 28	107	263003-7	1	Nylon Pin 5 (MJ)
45	343638-1	1	Spring Holder		256203-6	1	Pin 4.5 (MCA)
46	256199-1	1	Pin 8	108	911213-7	1	P. H. Screw M5x12 (With Washer) (Old 911211-1)
47	252111-9	1	Hex Lock Nut M10	109	253807-5	1	Flat Washer 5
48	941251-5	1	Flat Washer 10	110	*	1	Turn Base Com.
49	331350-5	1	Pipe 16-90	111	251314-2	2 or 3	(+) Screw M4x12
50	414541-4	1	Handle Cover	112	251314-2	2 or 3	(+) Screw M4x12
51	Ⓢ	4	P. H. Screw M4x25/Tapping screw 4x25 (MCA)	113	414545-6	1	Kerf Board (L)
52	961018-5	1	Stop Ring E-5	114	414544-8	1	Kerf Board (R)
53	253804-1	1	Flat Washer 6	115	414543-0	1	Front Cover
54	257163-5	1	Ring 6	116	911228-4	2	P. H. Screw M5x18 (With Washer)
55	257163-5	1	Ring 6	117	911113-1	1	P. H. Screw M4x10 (With Washer)(Old 911114-9)
56	941151-9	1	Flat Washer 6 (Old)	118	343678-9	1	Indication Plate
57	922334-0	1	Hex Socket Head Bolt M6x20(With Item 56) (Old 922331-6)	119	211444-1	1	Linear Ball Bearing 3064
58	265359-4	1	Hex Bolt M16x78	120	343671-3	1	Slide Guide Plate
59	911366-2	2	P. H. Screw M6x45 (With Washer)	121	331353-9	1	Slide Guide Support
60	254001-2	1	Woodruff Key 4 (MJ)	122	331352-1	1	Slide Guide
	254038-9	1	Woodruff Key 4 (MCA)	123	922111-0	3	Hex Socket Head Bolt M4x10
61	265357-8	1	Hex Bolt M8x50	124	216004-4	1	Steel Ball 7.9
62	343672-1	1	Link Plate	125	231038-6	1	Compression Spring 6
63	415109-9	1	Gear Housing Com. (Includes Items 20 & 30) (Old 159105-4)	126	*	3	Slide Plate
64	961057-5	1	Retaining Ring S-17	127	286212-1	2	Cap 20
65	221695-8	1	Helical Gear 41	128	*	1	Base Com.
66	414530-9	1	Bearing Box	129	343674-7	1	Under Cover
67	211256-2	1	Ball Bearing 6203LLB	130	922281-1	5	Hex Socket Head Bolt M5x40
68	322309-3	1	Spindle	131	265832-4	1	Hex Socket Head Bolt M5x8
69	224279-1	1	Flange 55	132	322417-0	1	Lock Ring 30
70	257060-5	1	Ring 15.8	133	261087-9	1	Rubber Washer 30
71	224279-1	1	Flange 55	134	322416-2	1	Rod
72	265355-2	1	Hex Flange Head Bolt M8x20	135	212036-9	1	Needle Bearing 808
73	414542-2	1	Safety Cover	136	253823-7	1	Flat Washer 7
74	*	1	Ring	137	212035-1	1	Needle Bearing 708
				138	961012-7	1	Stop Ring E-6
				139	816711-5	1	Scale Label
				140	343652-7	1	Set Plate
				141	251887-5	1	Screw M6x10
				142	251896-4	2	Screw M5x20
				143	322312-4	2	Holder
				144	410602-8	1	Fastener
				145	251667-9	1	Hex Bolt M8x75
				146	262511-5	1	Rubber Sleeve 6



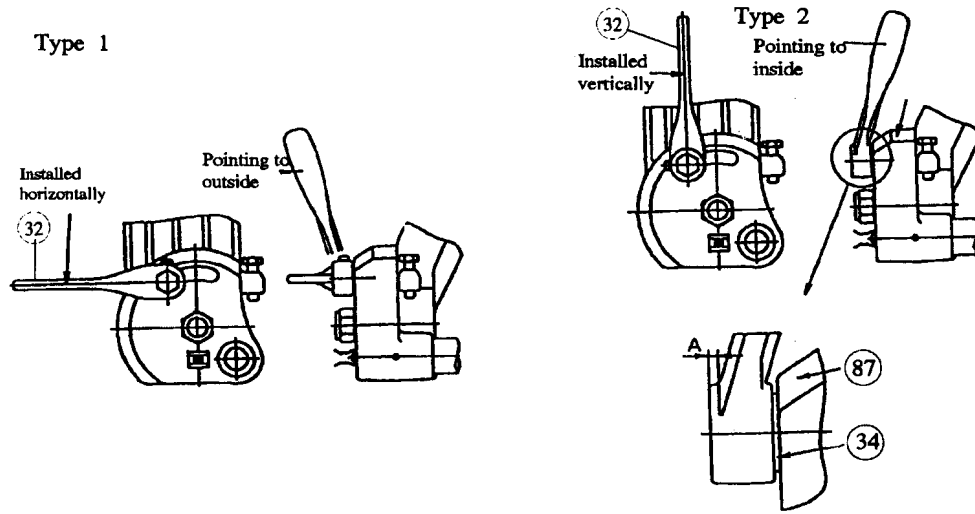
Item No.	Part No.	No. Used	Description
147	421391-0	1	Rubber Cushion
148	911334-5	1	P.H. Screw M6x20
149	343854-5	1	Arm Holder Plate
150	654079-9	2	Insulated Receptacle DF1.25
151	654510-5	1	Insulated Connector 5.5-SD (MJ)
	654532-5	1	Terminal Block (MCA)
152	232075-3	1	Leaf Spring
153	911111-5	1	P. H. Screw M4x10 (MJ)
	911113-1	1	P. H. Screw M4x10 (MCA)
154	265371-4	1	Hex Bolt M8x30

Item No.	Part No.	No. Used	Description
155	816726-2	1	Indication Label (Eng.)* (Add)
156	265403-7	1	Hex Bolt M6x55 * (Add)
157	282014-3	1	Chain * (Add)
158	911323-0	1	P.H. Screw M6x16 * (Add)
Accessories			
A01	—	1	Saw Blade (See Catalogue for Details)
A02	122351-2	1	Dust Bag Assembly (Includes Item 144)
A03	782212-4	1	Socket Wrench 13
A04	762001-3	1	Triangular Rule
A05	192118-2	1	Table Extension (Includes Items 140 - 143)
A06	122468-1	1	Vise Assy (Includes Items 94 - 100)
A07	122251-A	1	Multi Tool Stand

* SEE SERVICE CHANGES

SERVICE CHANGES

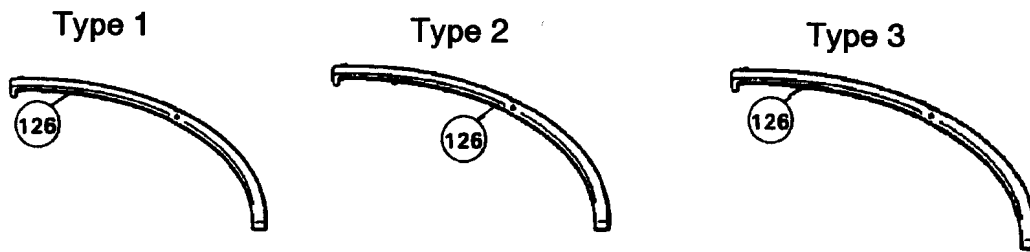
1. Change on Method of installing Lever.



Item No.	Description		Type 1	Type 2
32	Lever 125		272216-9	
			A=5.0mm	A=2.0mm
34	Flat Washer 10	Lever is installed horizontally & pointing to outside	253024-7 x 1	-----
		Lever is installed vertically & pointing to inside	253024-7 x 3	253024-7 x 1
	Serial No. (MJ Products)		~ 15315	15316 ~
	Serial No. MCA Products)		N/A	1001 ~

Above parts are interchangeable as a set.
 When replacing Lever, check the size of "A" on Lever and identify whether the Lever is Type 1 or Type 2 then install the suitable number of Flat Washers depending on whether the Lever is installed horizontally or vertically. (See Item 34)

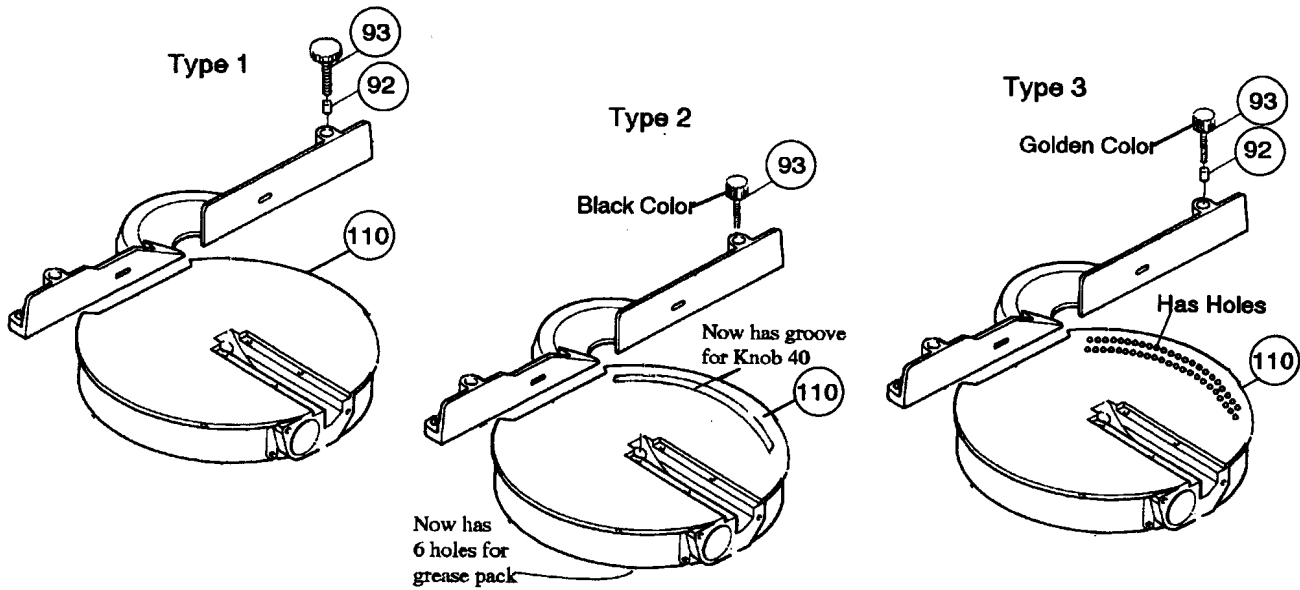
2. Change on Slide Base, Base Com., etc.



Item No.	Description	Type 1	Type 2	Type 3
126	Slide Plate	343675-5		344036-2
		5.5mm Width	7.0mm Width	
		0.3mm Height		0.5mm Height
128	Base Com.	151333-7 (Discontinued)		151401-6
	Serial No.(MJ Products)	~64009E	64010E ~ 136830E	136831E ~
	Serial No. (MCA Products)	N/A	N/A	1001 ~

Above parts are completely interchangeable as a set.

3. Change on Clamp Screw and Turn Base.



Item No.	Description	Type 1	Type 2	Type 3
92	Nylon Pin 8	263009-5	-----	263019-2
93	Screw M10x45/Knob 40	251893-0	271292-0 Threaded portion is 48mm (1-7/8")	271302-3 Threaded portion is 42mm (1-21/32")
110	Turn Base Com.	152359-2 (Discontinued)	152405-1	
			Has Groove	Has Holes
Serial No. (MJ Products)		~ 61603E	61604E ~ 162336E	162337E ~
Serial No. (MCA Products)		N/A	1001 ~ 6100 9821 ~	6101 ~ 9820

Above parts are completely interchangeable as a set.

Apply grease to the slide plate or reverse side of turn base (Type 1) if it does not turn smoothly.

Type 2 Turn Base has 4 more positive stop settings [(new settings added 31.6°, 35.3° - right or left) (Current stops 15°, 22.5°, 30°, 45° right or left and 0° (90° cut))]

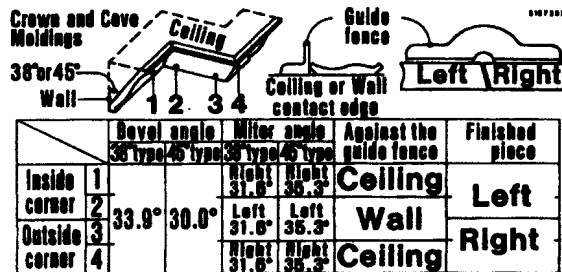
When replacing Type 2 Knob, add Nylon Pin 8 at the same time.

Types 2 & 3 Turn Base are interchangeable as themselves.

The design will change back to Type 2 starting with Serial No. 9821.

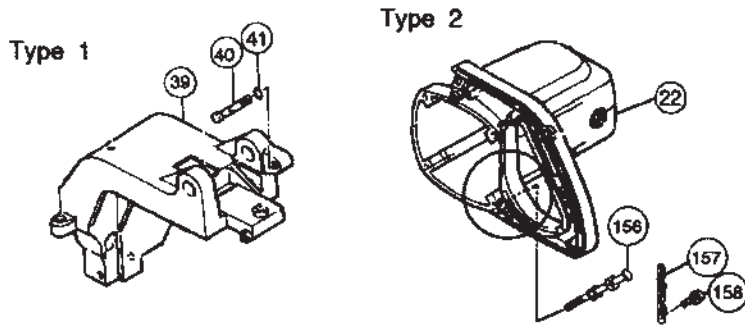
4. Addition of Indication Label.

The following Indication Label for Crown and Cove Moldings is added onto the Base Complete. (Available in English only)



Item No.	Description	Part #
155	Indication Label	816726-2

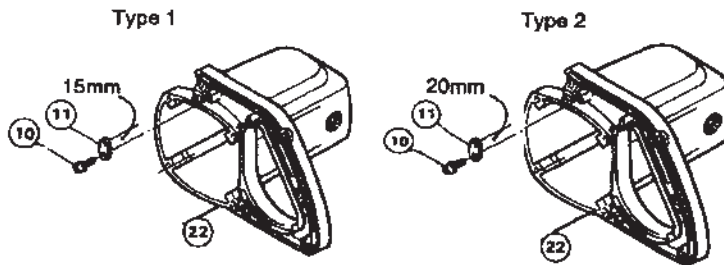
5. Change on Securing Method of Tool (Change of Stopper Pin and Addition of Chain)



Item No.	Description	Type 1	Type 2
40	Stopper Pin	322317-4	-----
41	O Ring 5	213021-5	-----
156	Hex Bolt M6x55	-----	265403-7
157	Chain	-----	282014-3
158	P.H. Screw M6x16	-----	911323-0
	Serial No. (MJ Products)	~ 139019E	139020E ~
	Serial No. (MCA Products)	N/A	1001 ~

Above parts are completely interchangeable as a set.

6. Change on Strain Relief, P. H. Screw and Motor Housing.



(T/I# Y04062)

Item No.	Description	Type 1	Type 2	Type 3
10	Screw	911133-5 (PH)	265995-6 (Tapping)	911133-5 (PH)
11	Strain Relief	687001-1	687063-9	
22	Motor Hsg Com.	159131-3	159640-2	159131-3
50	Handle Cover	414541-4	415386-3	414541-4
51	Screw	911148-2 (PH)	265925-7 (Tapping)	911148-2 (PH)

Above parts are completely interchangeable as a set.

7. Change on Ring and Screw.

Item No.	Description	Type 1	Type 2	Type 3
74	Ring	322311-6 (Discontinued)	-----	
75	Screw	912207-5 (Discontinued) Countersunk Head M5x10	265008-3 (+) Flat Head M5	265985-9 Socket Head Flange Screw M6
	Serial No. (MJ Products)	~ 101608	101609 ~	
	Serial No. (MCA Products)	N/A	N/A	1001 ~